

REMOTE CONTROLLER
OWNER' S MANUAL

202055090766
R05/BGE-20


NOTE

1. The outline figure on cover is for reference only, which may differ from what you purchased.
2. Make sure to read chapter PRECAUTIONS before you operate the air conditioner.
3. This manual is available for model R05/BGE , RM05/BG(T)E-A and RM05/BGE(T).
4. R05/BGE, RM05/BG(T)E-A and RM05/BGE(T) can be applicable for cool only type and cool&heat type air conditioners.

CONTENTS

PRECAUTIONS.....	1
MODEL AND SPECIFICATION.....	1
BUTTONS AND THEIR FUNCTIONS.....	2
INDICATORS AND FUNCTIONS.....	5
OPERATION INSTRUCTIONS.....	6
INSTALL AND REPLACE BATTERIES.....	6
AUTO OPERATION.....	6
COOL/HEAT/FAN OPERATION.....	6
DRY OPERATION.....	7
TIMER OPERATION.....	7

PRECAUTIONS

- Curtain, door or the like objects will prevent the remote signal from being received by air conditioner.
- Do not get the interior of remote controller wet. It is forbidden to expose it to direct sunlight or locate it in the place with high temp.
- Malfunction may occur if infrared signal receiver on air conditioner is exposed to sunlight. Please shelter the signal receiver from sunlight with curtain.
- Please remove the nearby electronic device for they may affect the performance of remote controller.
- Do not put the used or different batteries into the remote controller, otherwise remote controller will fail to send signal.
- Please remove the batteries before long period unused, otherwise the remote controller may be damaged.
- If pressing the button reset the remote controller, which indicates low battery, please replace the batteries.
- If no receiving sound is heard from indoor unit or  on remote controller does not flash, please replace the batteries.
- Effective transmitting distance of remote controller is 8m, please aim the signal sending part to the receiver on air conditioner.

MODEL AND SPECIFICATION

Model	R05/BGE RM05/BGE(T) RM05/BG(T)E-A
Rated voltage	3.0V(2 pieces of LR03 7# batteries)
Min voltage for sending signal of CPU	2.4V
Effective receiving distance	8m~11m
Operation condition	-5~60°C

Set TIME ON and TIME OFF simultaneously

1. Set TIME ON according to procedures 1 and 2 specified in **TIME ON operation.**
2. Set TIME OFF as the procedures 1 and 2 specified in **TIME OFF operation.**
3. If both the set time of TIME ON and TIME OFF not exceed 10 hours, time OFF operation will activated 0.5 hour later than time ON operation. If both the set time of TIME ON and TIME OFF exceed 10 hours, time OFF operation will be activated 1 hour later than time ON operation.
4. 0.5s after setting, remote controller will send TIME ON command to the unit.

Modification of timer operation

Press corresponding button and readjust the time of time ON and time OFF. Adjust the time figure to 0.00 to cancel the timer operation.

NOTE: The time set in timer operation is the relative figure based on the clock on remote controller. Adjusting clock is unavailable when TIME ON or TIME OFF is activated.

202055090766
R05/BGE-20

NOTE: On FAN mode, temp is nonadjustable and ECO is ineffective. Procedure 2 is omitted.

🔑 DRY operation

1. Press MODE to select DRY.
2. Adjust temp via ▲ and ▼ . Generally the range is 17°C~30°C.
3. Press ON/OFF and running indicator light on indoor unit is lightened. Air conditioner will work on DRY mode. Turn off the unit via ON/OFF.
4. On DRY mode, ECO and FAN SPEED are unavailable.

🔑 Timer operation

TIMER ON and TIMER OFF are used to turn on and turn off the unit at the set time respectively.

🔑 TIME ON operation

1. Press TIMER ON, icon SET, HOUR and ON are lightened.
2. Press TIMER ON again and adjust the time.
3. Keep pressing this button, the time will increase by 0.5 hour. When the set time exceeds 10 hours, pressing the button will increase the time by 1 hour.
4. 0.5s after setting, remote controller will send TIME ON command to the unit.

🔑 TIME OFF operation

1. Press TIME OFF, icon SET, HOUR and OFF are lightened.
2. Press TIME OFF again and adjust the time.
3. Keep pressing this button, the time will increase by 0.5 hour. When the set time exceeds 10 hours, pressing the button will increase the time by 1 hour.
4. 0.5s after setting, remote controller will send TIME OFF command to the unit.

BUTTONS AND THEIR FUNCTIONS

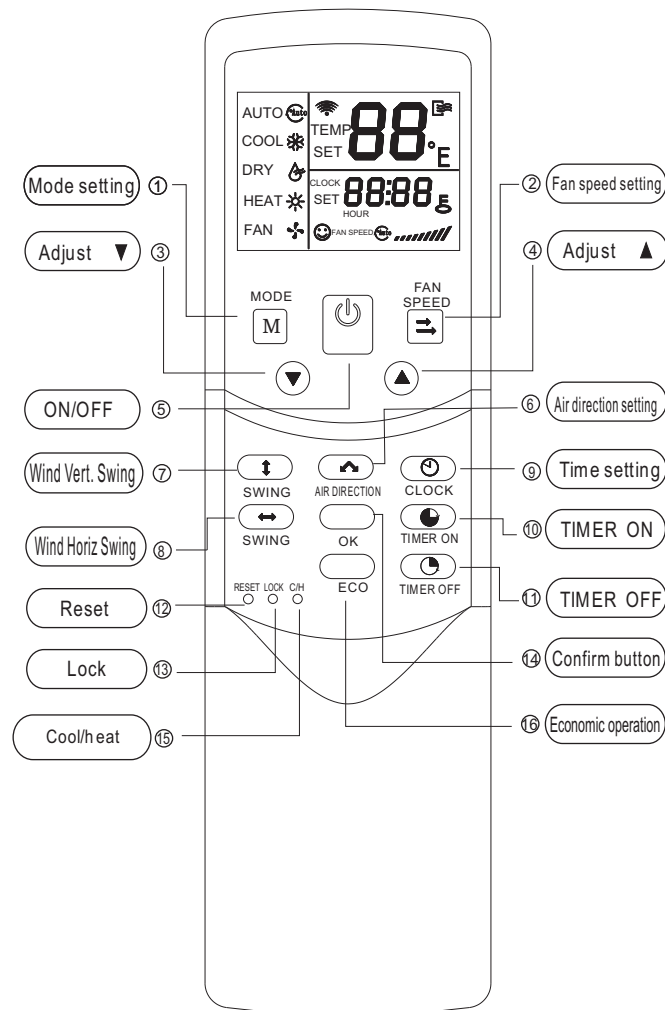
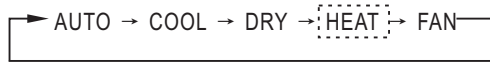


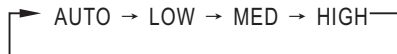
Chart 1

- ① **MODE:** Once pressing, running mode will be selected in the following sequence:



NOTE: No heating mode for cool only type unit.

- ② **FAN SPEED:** Fan speed will be selected in following sequence once pressing this button:



- ③ **Adjust▼:** Decrease the set temp. Keeping pressing will decrease the temp with 1°C per 0.5s.
- ④ **Adjust▲:** Increase the set temp. Keeping pressing will increase the temp with 1°C per 0.5s.
- ⑤ **ON/OFF:** For turning on or turning off the air conditioner.
- ⑥ **AIR DIRECTION:** Activate swing function of air deflector. Once pressing, air deflector will turn 6°. For normal operation and better cooling and heating effect, deflector will not turn to the degree which is the state of deflector when the unit is turned off. (Only available when remote controller is used with corresponding unit.)
- ⑦ **Wind Vert Swing:** Activate or turn off wind vertical swing function. (Only available when remote controller is used with corresponding unit.)
- ⑧ **Wind Horiz Swing:** Activate or turn off wind horizontal swing function. (Only available when remote controller is used with corresponding unit.)
- ⑨ **CLOCK:** Display the current time. (12:00 is displayed when resetting or electrifying for the first time.) Press CLOCK for 5s, icon indicating hour will flash with 0.5s. Press it again, icon indicating minute will flash with 0.5s. ▼ and ▲ are used

- ⑧ **Fan speed:** Press FAN SPEED to display the current wind speed. AUTO, LOW, MED and HIGH can be selected. The default state is high fan speed for the unit without medium fan speed.
- ⑨ **Economic operation:** This icon will be lightened or off when pressing ECO button.

NOTE: All the above icons will be displayed only when the remote controller is electrified for the first time or reset.

OPERATION INSTRUCTIONS

🔧 Install and replace batteries

- Install 2 pieces of 7# alkaline batteries.
- Slide the cover to install batteries and make sure to place them in right pole.

🔧 AUTO operation

Switch on the power and running indicator light on indoor unit flashes.

1. Press MODE to select AUTO.
2. Adjust temp via ▲ and ▼. Generally the range is 17°C~30°C.
3. Press ON/OFF and running indicator light on indoor unit is lightened. Air conditioner will work on AUTO mode and fan speed is AUTO which is nonadjustable.
4. ECO is effective on AUTO operation.

🔧 COOL/HEAT/FAN operation

1. Press MODE to select COOL, HEAT or FAN.
2. Adjust temp via ▲ and ▼. Generally the range is 17°C~30°C.
3. Press FAN SPEED to select AUTO, LOW, MED or HIGH.
4. Press ON/OFF and running indicator light on indoor unit is lightened. Air conditioner will work on the set mode. Stop operation via ON/OFF.

to adjust the figure. Setting or modification is effective only by pressing OK button to make confirmation.

- ⑩ **TIME ON:** For time ON setting. Once pressing this button, the time will increase by 0.5 hour. When the set time exceeds 10 hours, pressing the button will increase the time by 1 hour. Adjusting the figure to 0.00 will cancel time ON setting.
- ⑪ **TIME OFF:** For time OFF setting. Once pressing this button, the time will increase by 0.5 hour. When the set time exceeds 10 hours, pressing the button will increase the time by 1 hour. Adjust the figure to 0.00 will cancel time ON setting.
- ⑫ **RESET** (inner located): Press this button with a needle of 1mm to cancel the current setting and reset remote controller.
- ⑬ **LOCK** (inner located): Press this button with a needle of 1mm to lock or unlock the current setting.
- ⑭ **OK:** Used to confirm the time setting and modification.
- ⑮ **COOL/HEAT** (inner located): Press this button with a needle of 1mm to shift mode between COOL only and COOL&HEAT. During setting, back light will be lightened. Factory default mode is COOL &HEAT.
- ⑯ **ECO:** Activate or turn off economic operation mode. It is suggested to turn on this function when sleeping. (Only available when remote controller is used with corresponding unit.)

INDICATORS AND FUNCTIONS

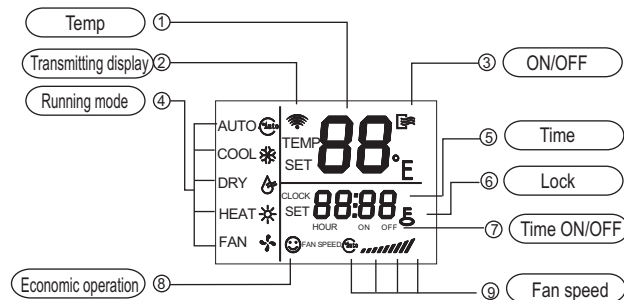


Chart 2

- ① **Temp:** Display the set temperature. Adjust temperature via ▲ and ▼ . No display in this area if the unit is on FAN mode.
- ② **Transmitting display:** The icon will flash once when the signal is sent by remote controller.
- ③ **ON/FF:** Icon is displayed when the remote controller is turned on, or vice versa.
- ④ **Running mode:** Press MODE to display current running mode. AUTO, COOL, DRY, HEAT and FAN can be selected. (HEAT function is invalid for cool only type unit.)
- ⑤ **Time:** Display the current set time. Press CLOCK for 5s, icon indicating hour will flash. Press this button again, icon indicating minute will flash. ▲ And ▼ are used to adjust the figure. Setting or modification is effective only by pressing OK button to make confirmation.
- ⑥ **Lock:** The icon will be lightened or off when pressing LOCK. In locked state, all the buttons are ineffective except button LOCK.
- ⑦ **Time ON/OFF:** In the state of time ON, icon ON will be lightened, which is the same to the state of time OFF. Setting timer ON and OFF simultaneously, both icons ON and OFF are displayed.